



LEVEL PARKER 570



LEVEL PARKER 590



PARKSAFE 580

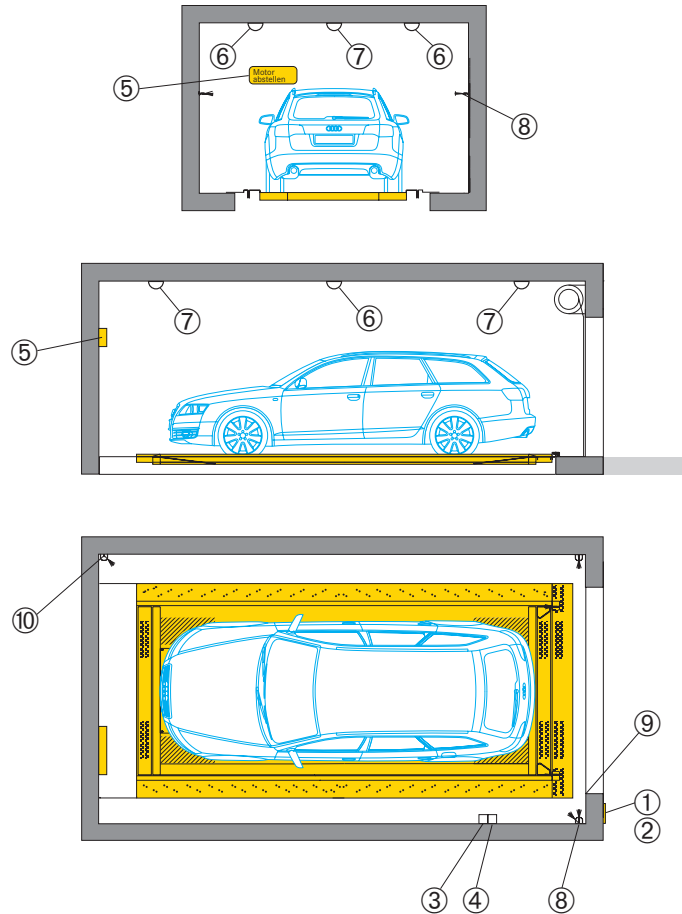


MULTIPARKER 710



MULTIPARKER 740

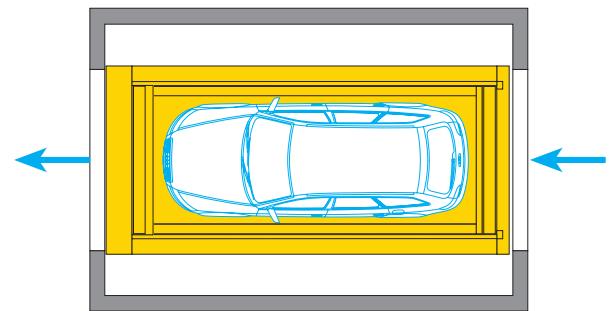
Transfer area



- ① Flush-type or surface mounted type operating device. Operated by inductive chip
- ② Receiver for remote control (optional)
- ③ Emergency stop
- ④ Open-Door button
- ⑤ Text display
- ⑥ Car width monitoring
- ⑦ Car length monitoring
- ⑧ Car height monitoring
- ⑨ Door monitoring
- ⑩ Car presence

Drive through transfer area

For many system constellations the transfer area can be built with the possibility to drive through. To check this option for your project, please contact WÖHR.

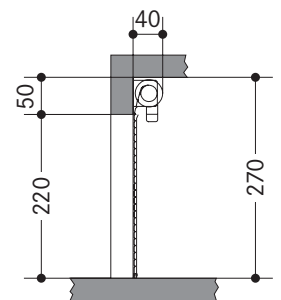
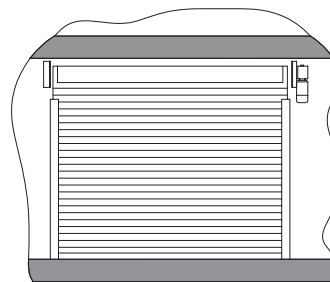
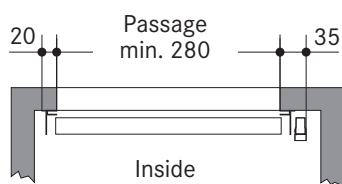


Doors

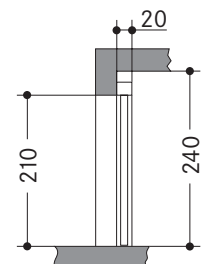
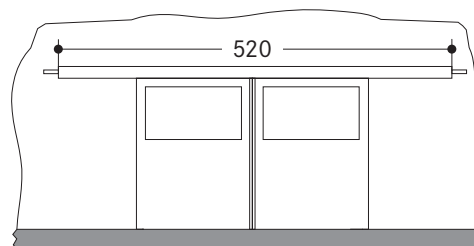
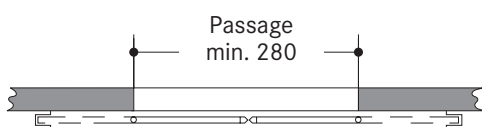
The standard version is provided with roller doors in accordance with the safety requirements in Europe.

Solutions with shifting doors are also possible. However, it is recommended to first discuss all individual solutions with WÖHR.

Roller door



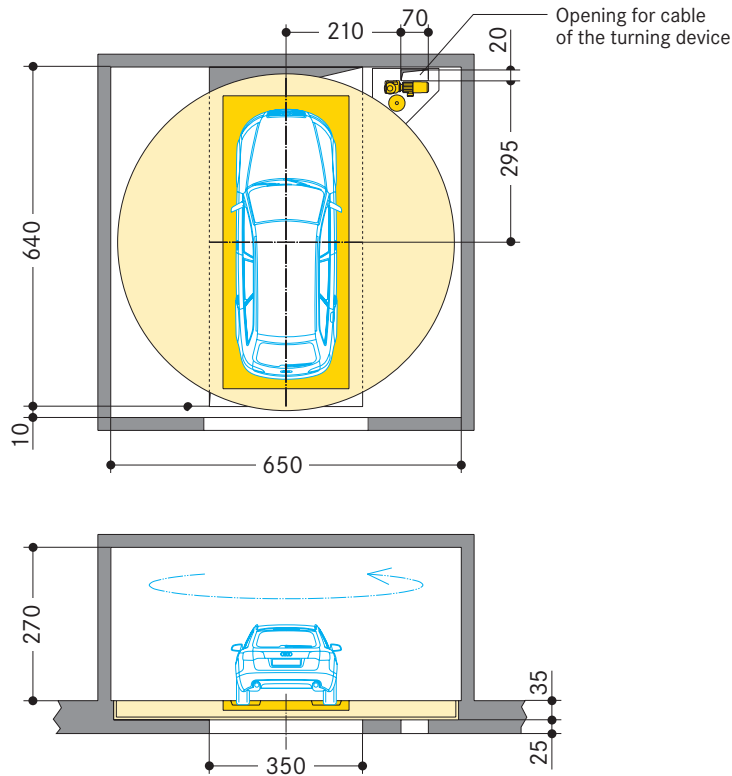
Sliding door



Turning device

Turning in the transfer area

When the car is turned in the transfer area, this area must be wider than in the version without turning device.

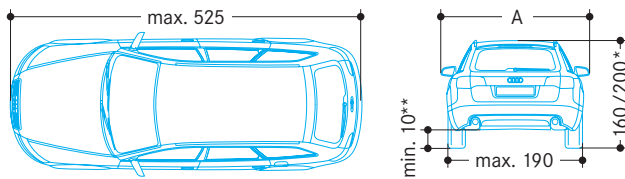


Alle Maße in cm

Maintenance access and switch cabinet

Maintenance access as well a room for the switch cabinet (min. 2 x 5 m) is required (please check with WÖHR).

Max. car dimensions



* Overall height (cars with roof racks, roof rails, antennas etc. should not exceed the mentioned overall height).

** Clearance underneath the gear case

Pallet width	Dimension A
230	220

Car weight max. 2500 kg, wheel load max. 625 kg.

These car dimensions are valid for the building dimensions as mentioned. If building dimensions are adjusted, other car dimensions are possible.

For parking systems with EV charging options, WÖHR recommends the use of wider pallets.

Attention: Clear installation dimensions change accordingly.

■ Grounding and Potential Equalisation

Customer has to provide a connecting outlet for grounding next to the control cabinet, because the Potential Equalisation Rail (PER) in the switch cabinet has to be connected by a preferably short cable with the grounding outlet. In the area of the steel structure the customer has to provide at least every 10 to 20 meters (or in distances as required by the local lightning protection regulation) grounding outlets, because the total steel structure has to be connected with the grounding outlets by preferably short cables.

■ Control

The parking operation is initiated by inductive chip touched to the operating panel, located at the entrance area. It is possible to

connect it with an automatic cashier system. More than one system can be inter-linked by a master computer.

■ Statics, construction and steel structure

The steel structure serves as a frame-work for the lift system and the pallets. The steel structure is fastened to the floor with metal splaydowels and shored-up

sidewise against the external walls. This requires a concrete quality of C25/30. Information with regard to the statics in question can be obtained from WÖHR.

■ Lighting (provided by customer)

In the transfer area at least 500 lux, see EN 1837:1999.
In the system area at least 50 lux, see EN 81-1:1998.

■ Drainage

The pallets are watertight. Tripping water, snow etc. is caught and will not soil cars stored below. We recommend

to provide a drainage in the parking area and to connect it to a pump sump.

■ Availability

If not agreed otherwise, the overall availability of the automatic parking system will reach at least 98% after a 6-month operation time.

■ Certificate of conformity

The parking systems we offer fulfil the requirements of the EC-Machinery Directive 2006/42/EC in general and the requirements of DIN EN 14010 in particular.

■ Fire protection (provided by customer)

Preventive fire protection measures should be discussed between the architect and the building authority and/or the preventive fire protection authority.

■ Dimensions

All dimensions are minimum finished dimensions. Allowance must also be made for tolerances caused by the requirements of local builders. Dimensions are given in cm.

■ Sound insulation

Basis: »Sound insulation in buildings«, for technical facilities in buildings must be provided with adequate protection against air-borne and solid-borne sound. If the sound pressure level should not exceed 30dB(A) in living- and sleeping-rooms at night, the following building requirements must be available:

Insulation against air-borne sound
The building unit must have a sound reduction index of at least R_w 57dB(A).

Insulation against solid-borne sound
WÖHR offers additional measures for a reduction of solid-borne sound (please ask for optional quotation from WÖHR). We recommend consultation between a sound expert and WÖHR to discuss further possible steps for reduction of the solid-borne sound.

■ Ventilation/Environmental conditions (provided by customer)

The electrical control elements are in accordance with EN 60204-1 and the mechanical are provided for a temperature range +5 - +40 degrees Celsius. Other environmental conditions would require a special consideration. A ventilation system is required by the client to provide continuous

exchange of air, to effect a reduction in the level of atmospheric humidity, prevent condensation, remove moisture carried by vehicles (rain, snow, ice or the like) and in accordance with Health and Safety at Work Regulations.

■ Notes

We reserve the right to make design changes. We reserve the right to change construction details on the basis of technological progress and in the light of environment regulations.